

Venting hob - Novy Easy 80
Recirculation / duct-out
4-zones 80 cm
Matte line



EAN 5414425263646

Dimensions (mm)

Dimensions (WxDxH) (mm)	800 x 520 x 215
Cut-out worktop (WxD)(mm)	750 x 490
Dimensions cut-out with inset (WxDxH) (mm)	804 x 524 x 6

Cooker hood

Energy label Extraction mode

Energy efficiency class (EEIhood)	A+++
Annual energy consumption (kWh/y) (AEChood)	17,9
Fluid Dynamic Efficiency class (FDEhood)	A
Lighting Efficiency class (LEhood)	-
Grease Filtering Efficiency class (GFEhood)	B

General information

Integrated motor	•
Number of metal grease filters	1
Duct out	•
Recirculation	• (default)
Dimensions exhaust (mm)	89 x 222
Position exhaust	Back left / Under left

Functions

Control	White slider touch control
Number of speeds	9 + P
Run-on timer extraction mode (min.)	30 (default)
Run-on timer recirculation mode (min.)	10
Cleaning indicator for grease filter	•
Replacement indicator for recirculation filter (recirculation mode)	•
Watertank(s) for cleaning	•

Air flow & noise level extraction mode

Air flow duct out (m ³ /u) (EN 61591):	
- Minimum	186
- Maximum continues	520
- Maximum	610
Air pressure (Pa):	
- Maximum	452
Sound pressure/power duct out setting (dB(A) re 1 pW)(EN 60704-2-13):	
- Minimum	30/42
- Maximum continues	54/66
- Maximum	58/70

Air flow & noise level recirculation mode

Air flow duct out (m ³ /u) (EN 61591):	
- Minimum	172
- Maximum continues	472
- Maximum	537
Sound pressure/power duct out setting (dB(A) re 1 pW)(EN 60704-2-13):	
- Minimum	32/44
- Maximum continues	53/65
- Maximum	55/67

Induction hob

General characteristics

Black opaque glass	•
Bevelled glass edge	•
Surface and flushline mounting	• / •

Cooking zones

Number of octagonal zones	4
Cooking zones (mm)	240 x 210
Power per zone (max. / power) (W)	2100/3000

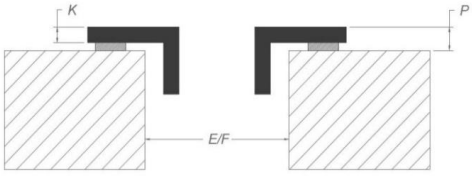
Cooking functions

Control	White slider touch control
Power levels	9 + Power
Timer per zone	•
Minute minder	•
Stop&Go	•
Keep warm function	70°
Bridge function flexzones	• (2x)
Residual heat indication	•
Automatic cooking	•
Child lock function	•
Automatic pan recognition	•
Grill function	•

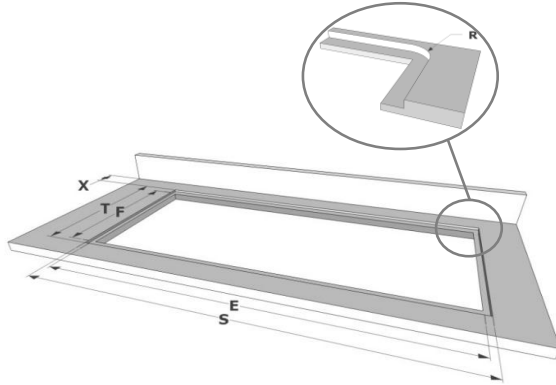
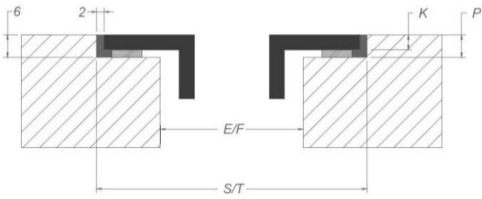
Technical specifications

Electrical connection value (W)	7568 W
Multiphase supply voltage	230 V / 400 V - 2N / 3N
Single-phase supply voltage	230 V
Power cable (included)	1,5 m
Weight (kg)	18,3

Surface mounting



Flushline mounting



Dimensions

		mm							
Surface		E	F	K	P	R	S	T	X
	Surface	750	490	4	6				55 min
	Flush	750	490	4	6	7	804	524	55 min

